

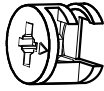
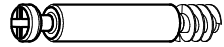
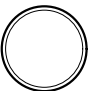
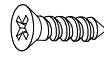
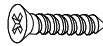
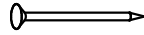
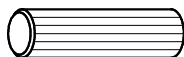
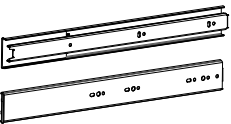
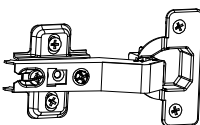

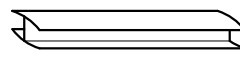
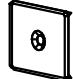
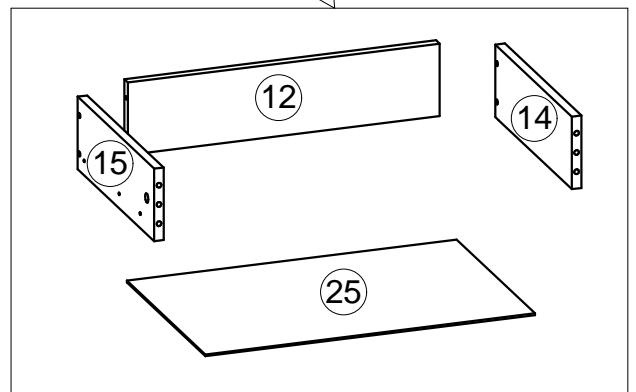
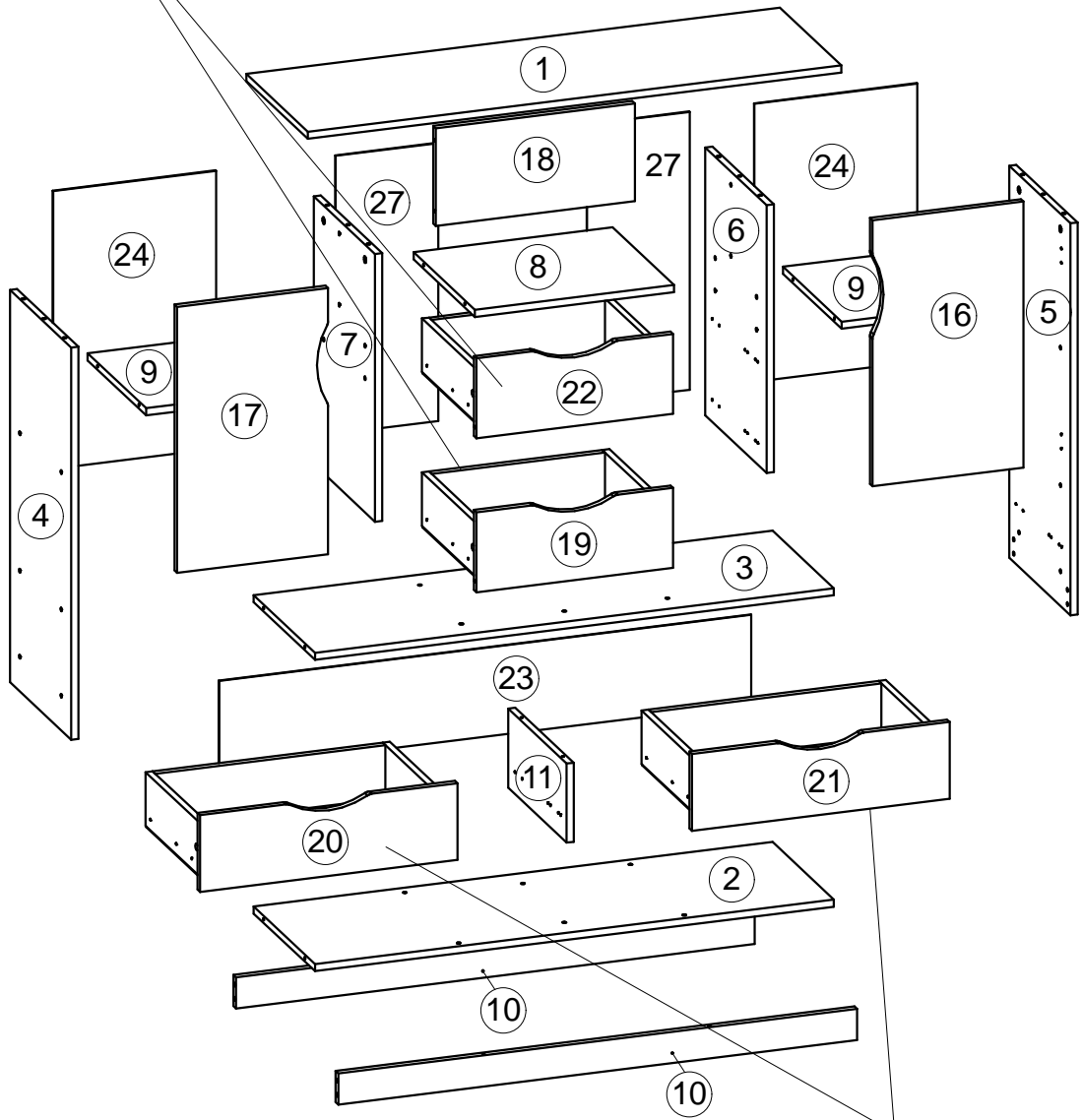
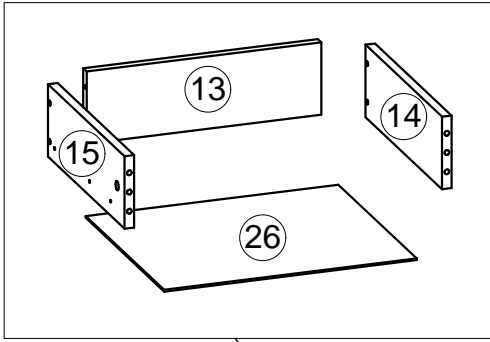
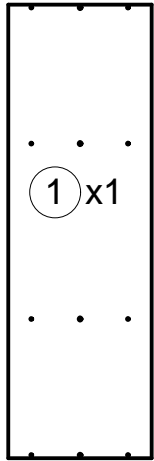
 Ø6,3x50 mm A1 x 52	 Ø12 mm A2 x 52	 4 mm A3 x 1	 Ø15x12 mm B1 x 16	 Ø5x44 mm B2 x 16
 Ø20 mm B3 x 16	 Ø4x16 mm D1 x 64	 Ø3x25 mm D2 x 15	 Ø1,6x25 mm F x 116	 Ø8x36 mm G x 28
 K x 4	 M x 4	 Ø15 mm N x 8	 O x 2	 Z x 15



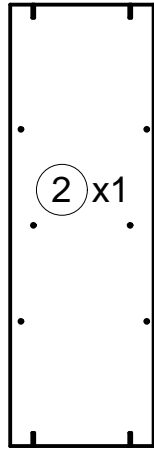
Box 1

1200x380x16mm



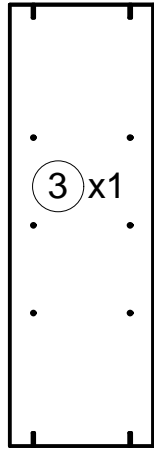
① x1

1168x379x16 mm



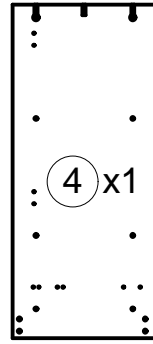
② x1

1168x379x16 mm



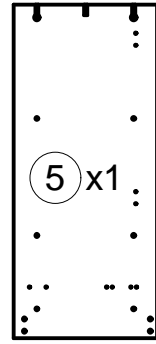
③ x1

883x379x16 mm



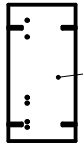
④ x1

883x379x16 mm



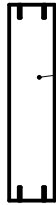
⑤ x1

361x178x16mm



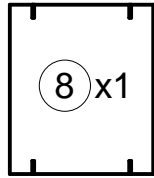
⑪ x1

518x120x16 mm



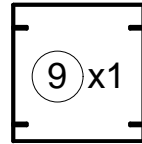
⑫ x2

448x379x16 mm



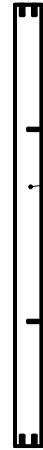
⑧ x1

361x344x16 mm

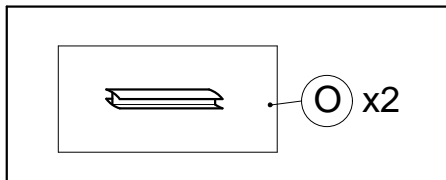


⑨ x1

70x1168x16 mm



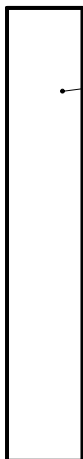
⑩ x2



① x2

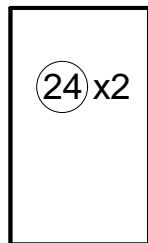
Fittings & Tools

1198x200x3 mm



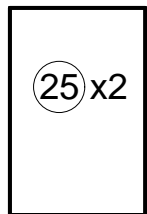
⑳ x1

626x367x3 mm



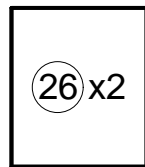
㉔ x2

548x358x3 mm



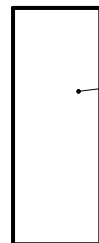
㉕ x2

420x358x3mm



㉖ x2

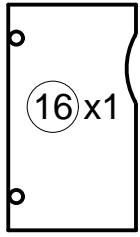
626x231x3 mm



㉗ x2

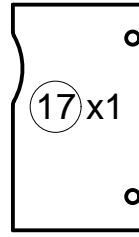
Box 2

597x338x16mm



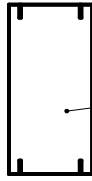
16 x1

597x338x16 mm



17 x1

220x448x16 mm



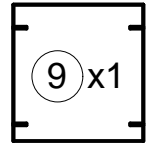
18 x1

178x441x16 mm



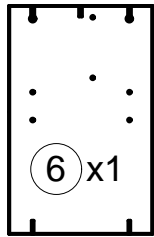
19 x1

361x344x16 mm



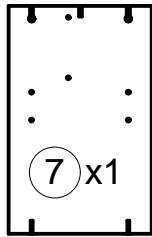
9 x1

603x379x16mm



6 x1

603x379x16 mm



7 x1

390x120x16 mm



13 x2

350x120x16 mm



14 x4

350x120x16 mm



15 x4

Box

171x578x16mm



21 x1

178x441x16 mm



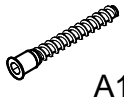
22 x1

171x578x16 mm



20 x1

1



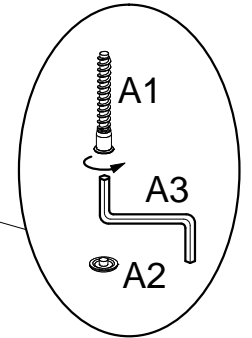
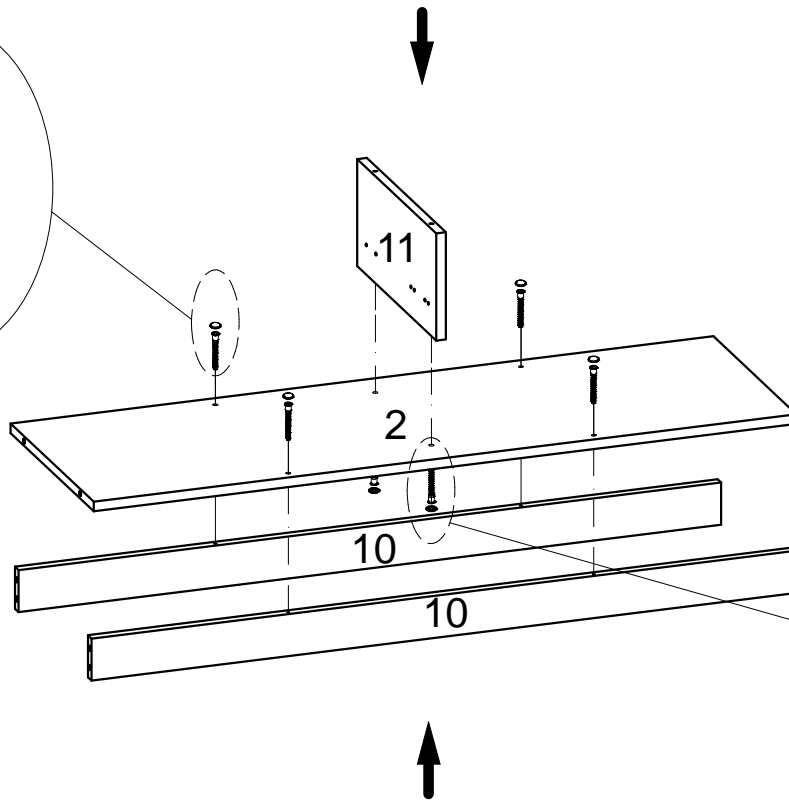
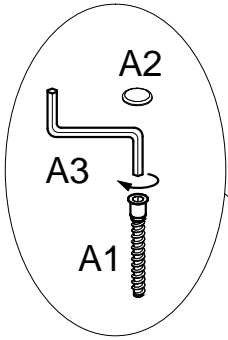
A1 x 6



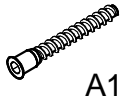
A2 x 6



A3 x 1



2



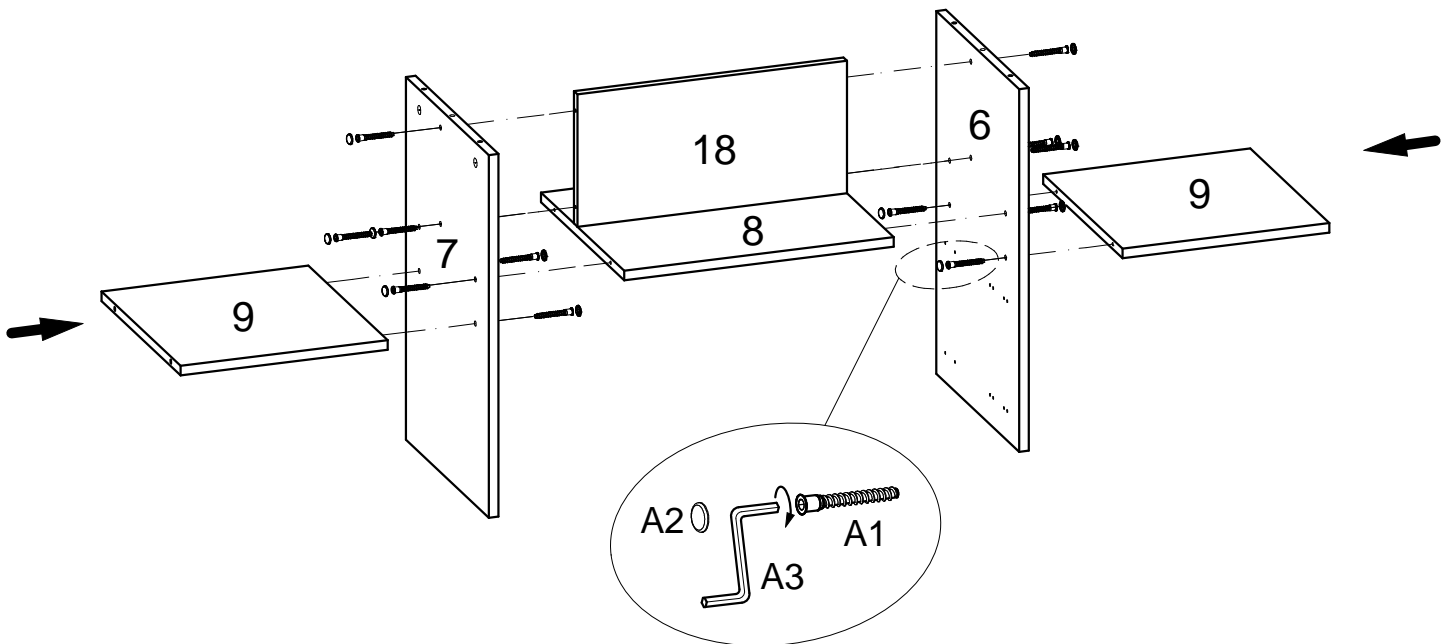
A1 x 12



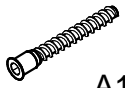
A2 x 12



A3 x 1



3



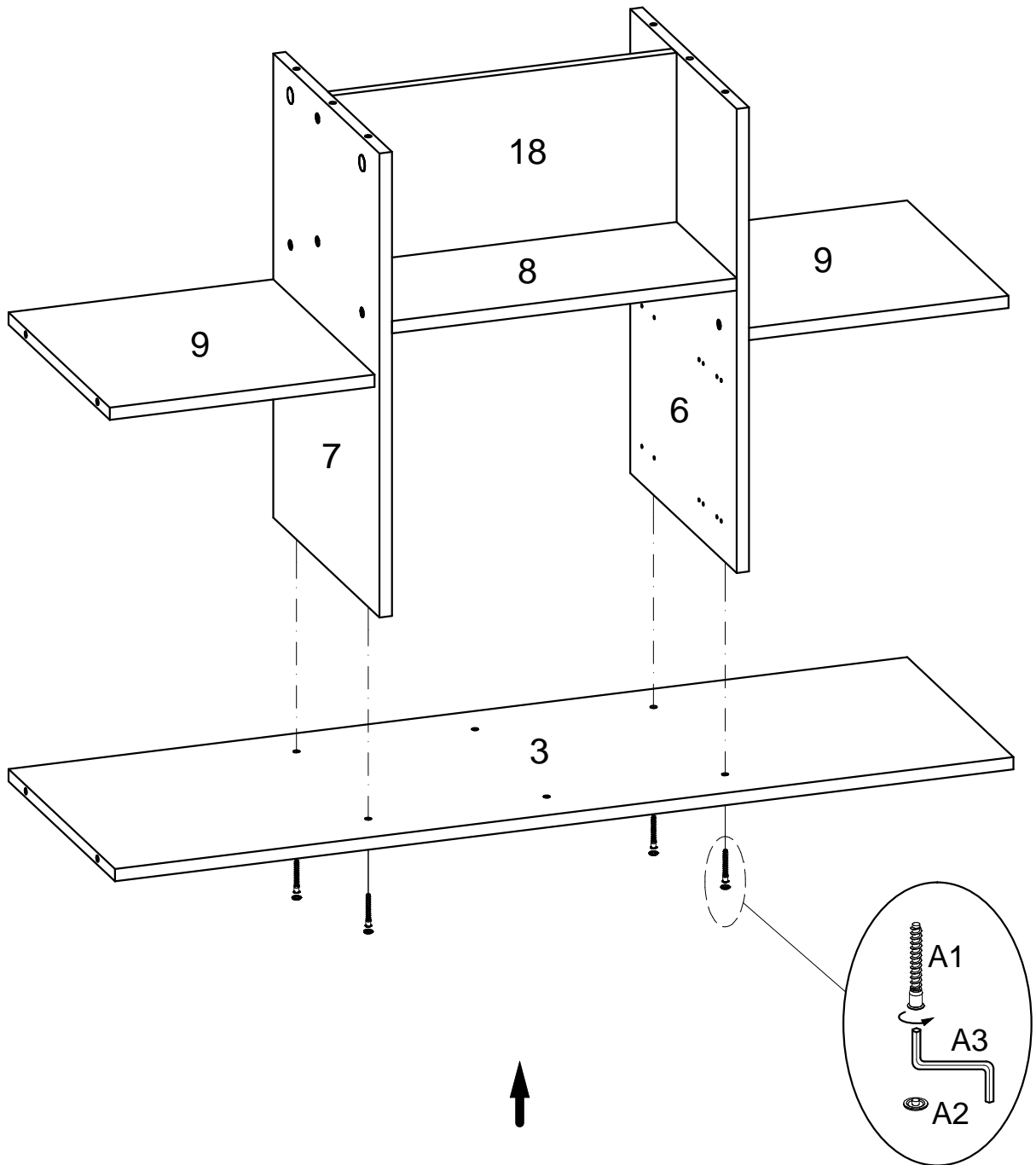
A1 x 4



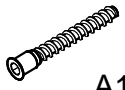
A2 x 4



A3 x 1



4



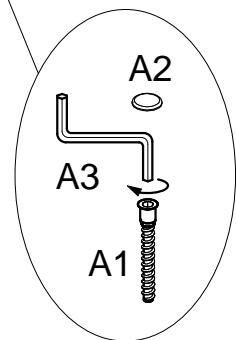
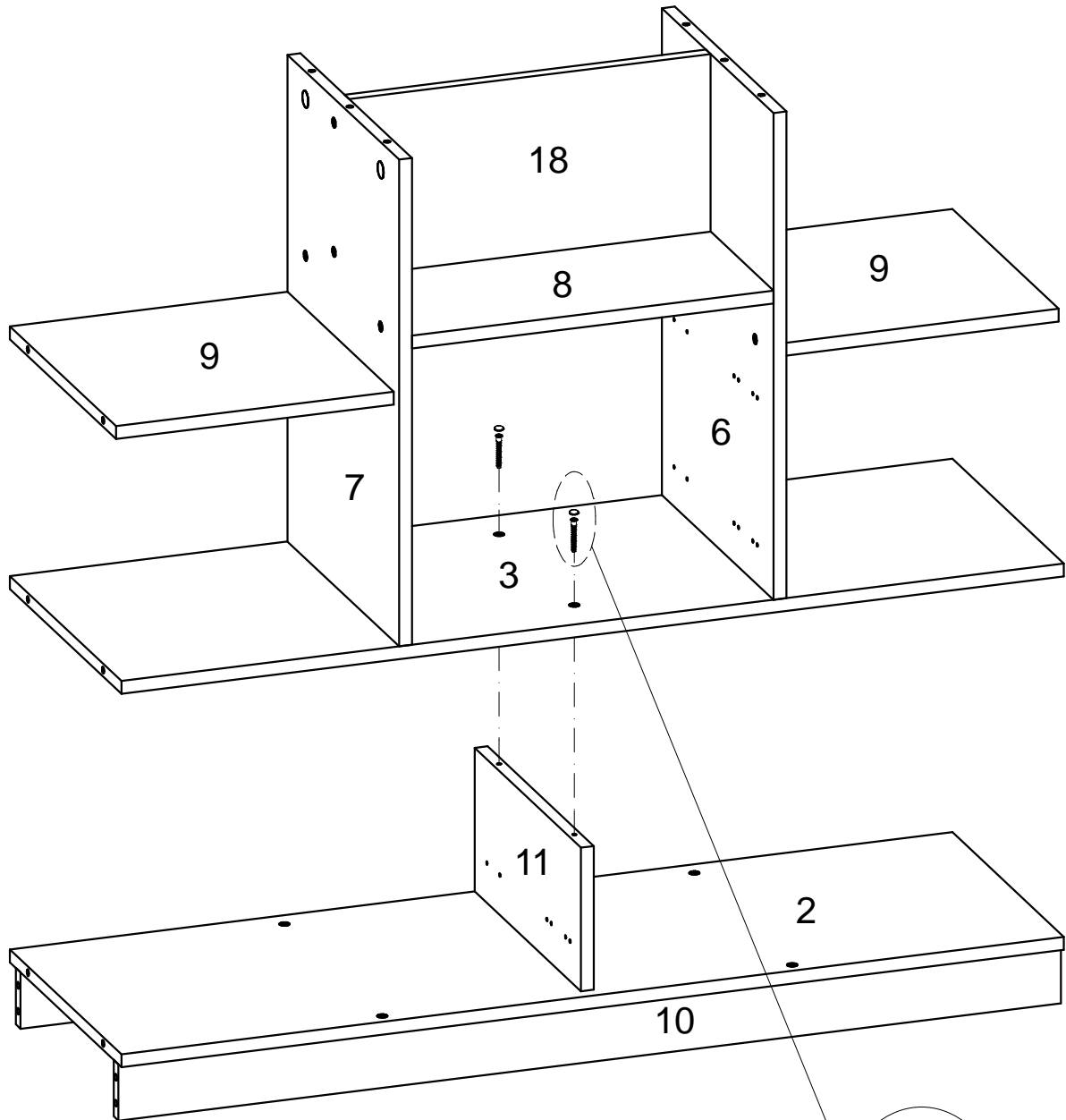
A1 x 2



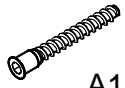
A2 x 2



A3 x 1



5



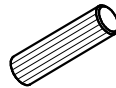
A1 x 12



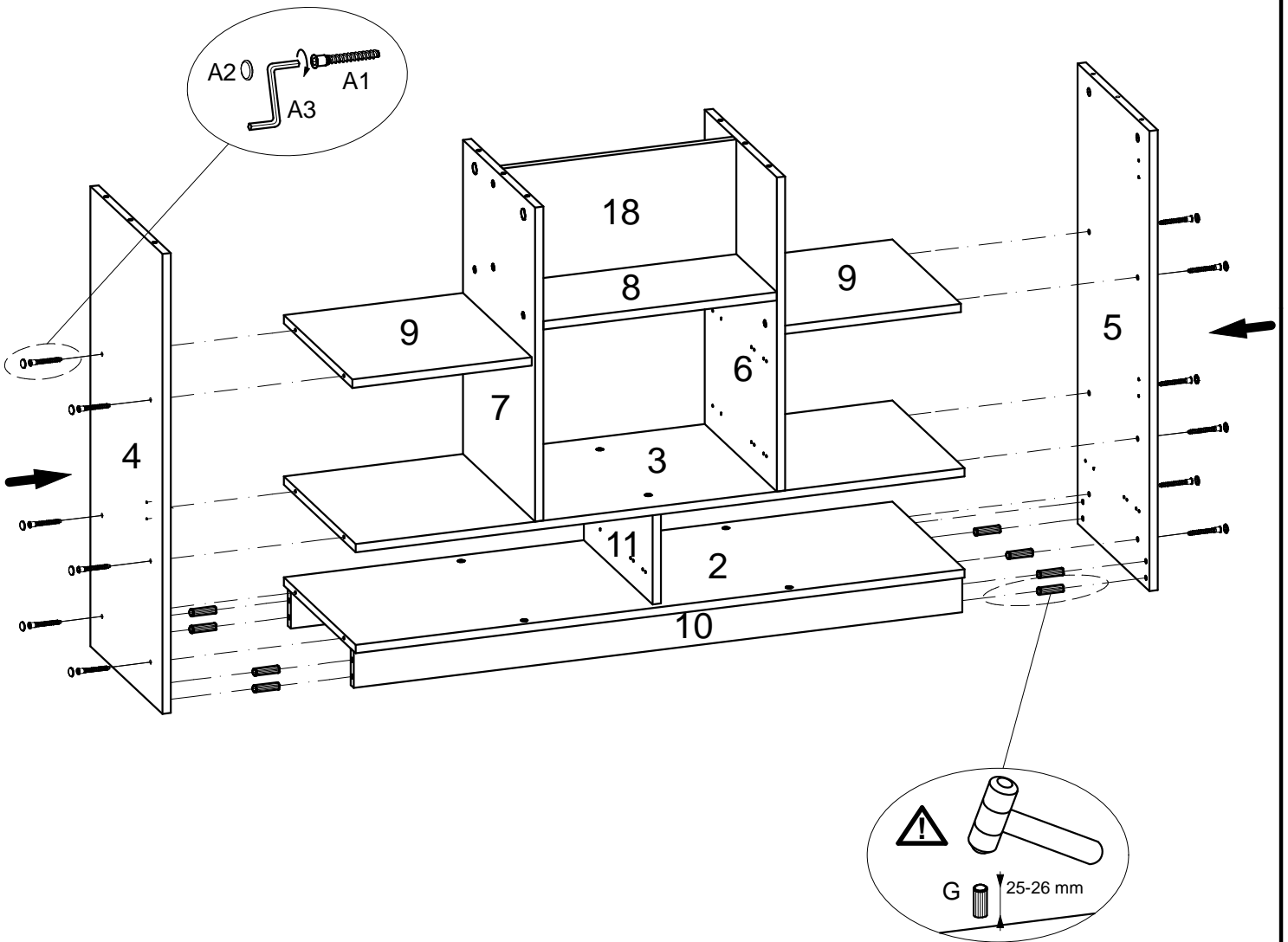
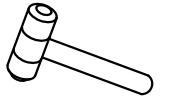
A2 x 12



A3 x 1



G x 8



6



B1 x 8



B2 x 8



B3 x 8



D1 x 24



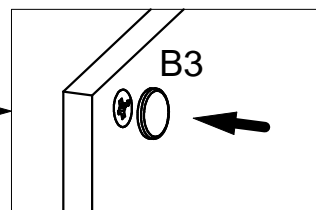
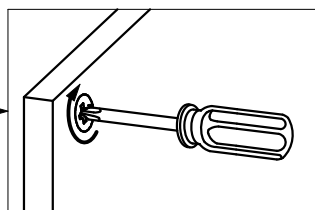
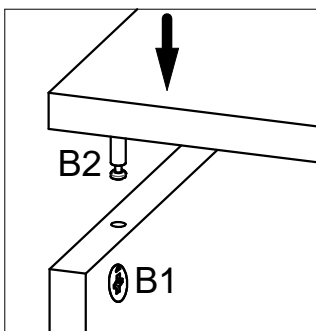
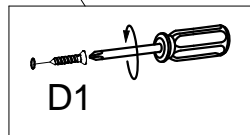
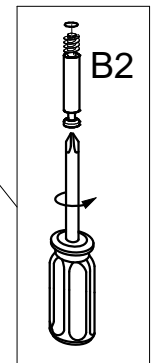
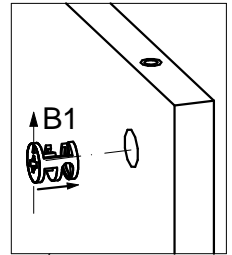
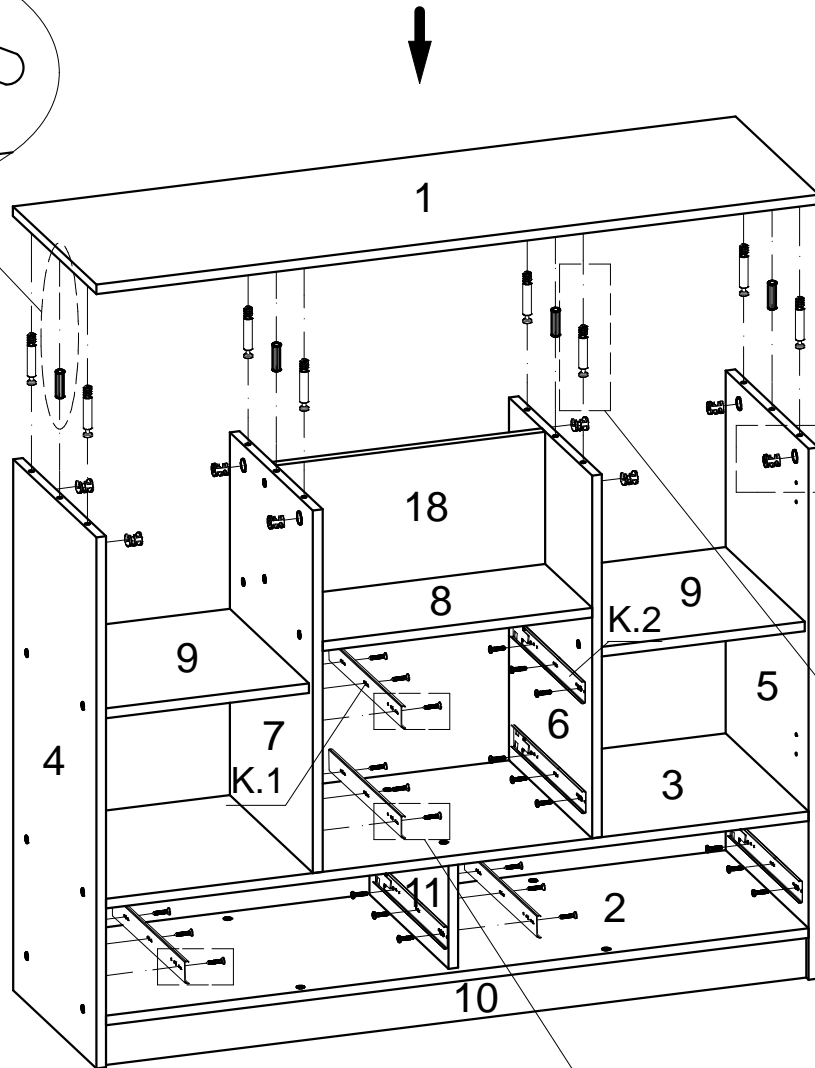
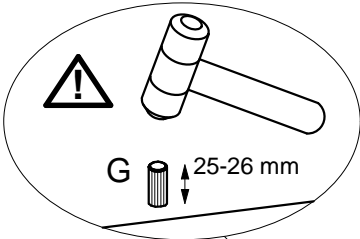
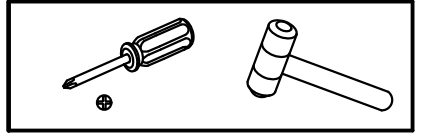
G x 4



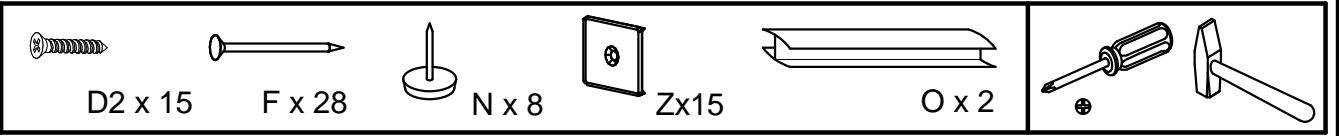
K.1 x 4



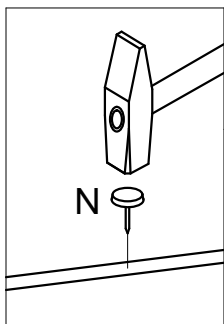
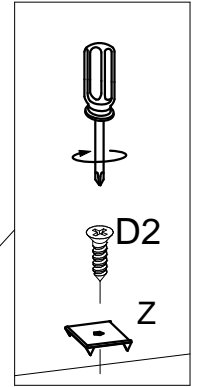
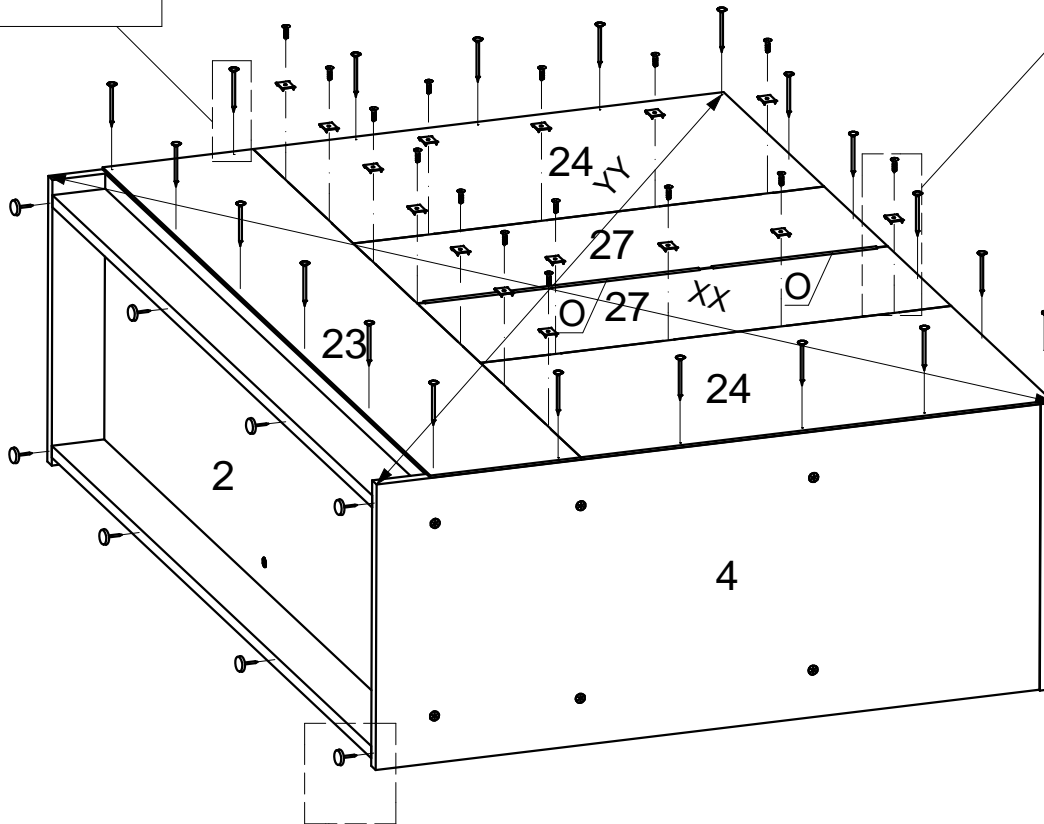
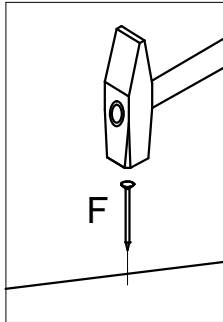
K.2 x 4



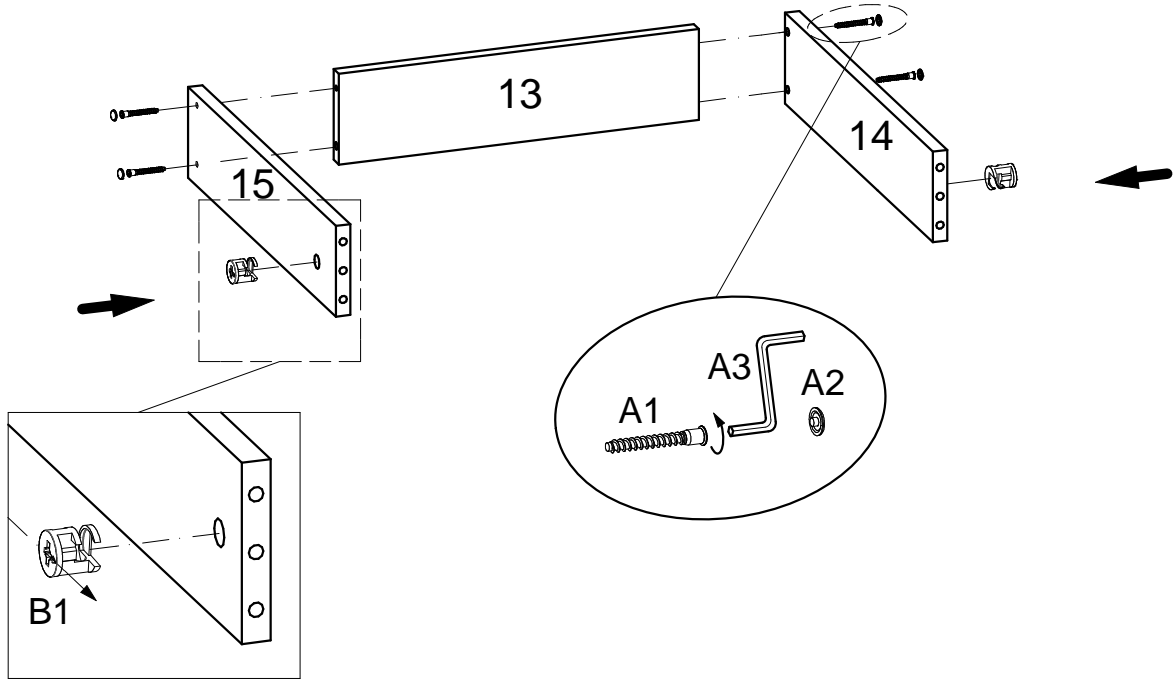
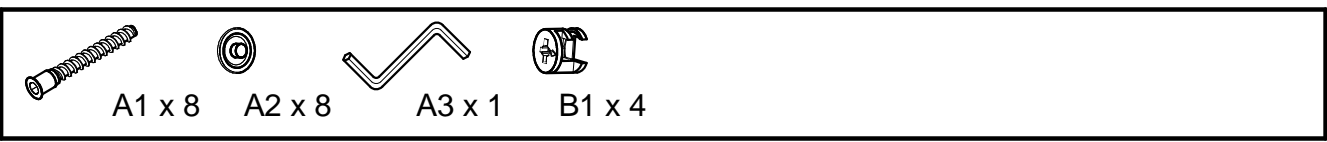
7



⚠ XX=YY≅90°

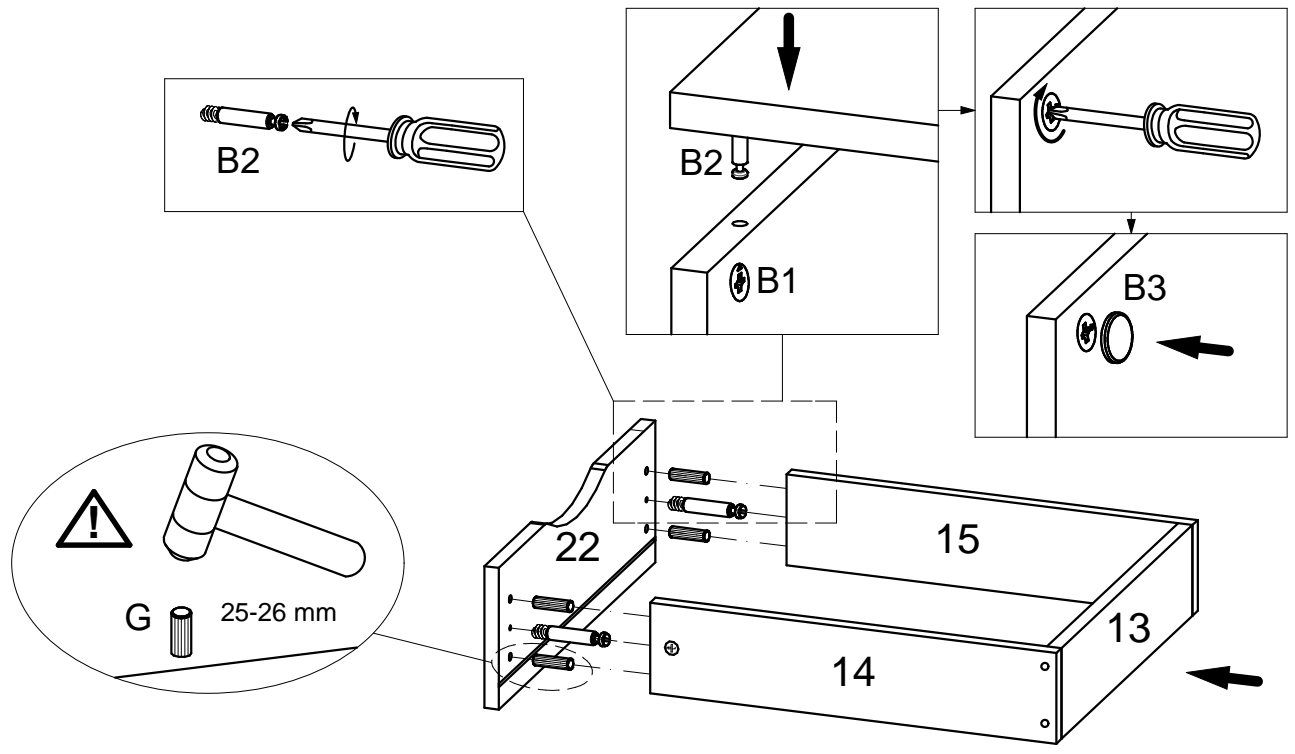


8

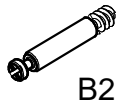


x 2

9



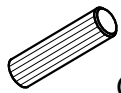
10



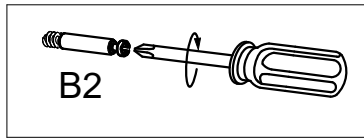
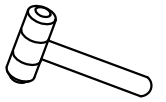
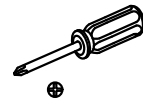
B2 x 2



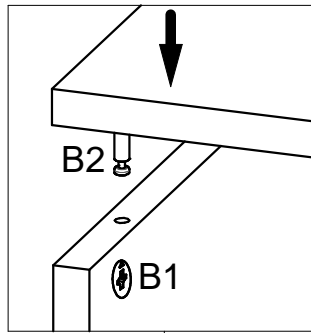
B3 x 2



G x 4

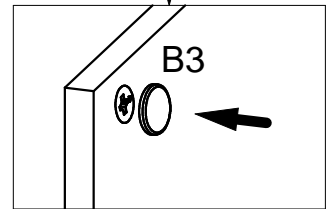
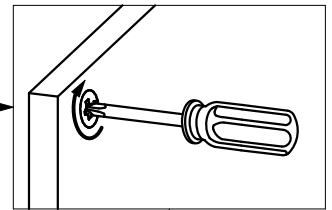


B2

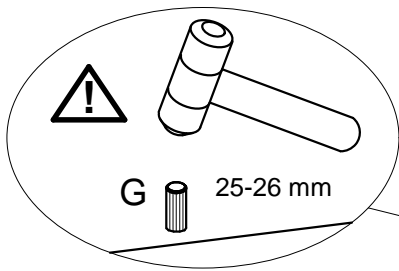


B2

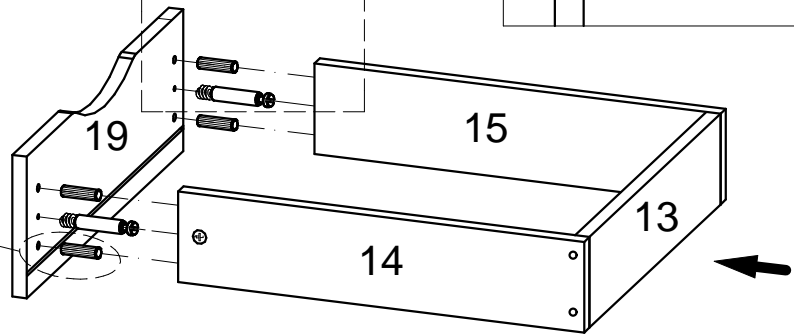
B1



B3



G 25-26 mm



11



A1 x 8



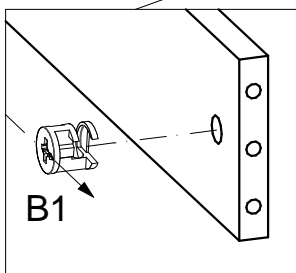
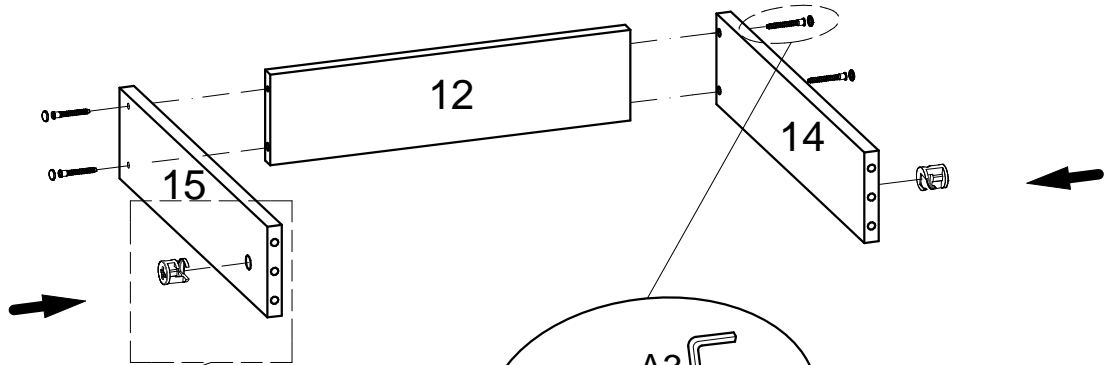
A2 x 8



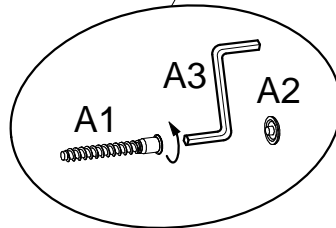
A3 x 1



B1 x 4



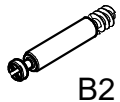
B1



A1 A3 A2

x 2

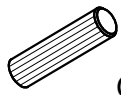
12



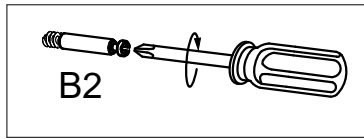
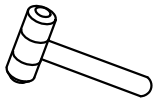
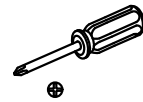
B2 x 2



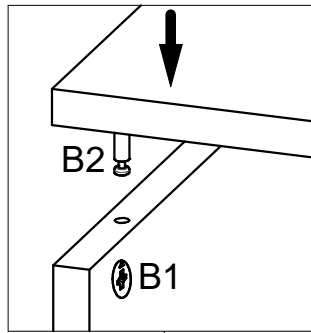
B3 x 2



G x 4

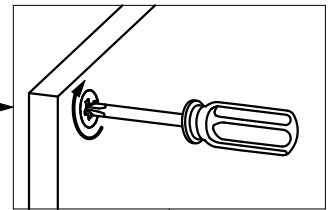


B2

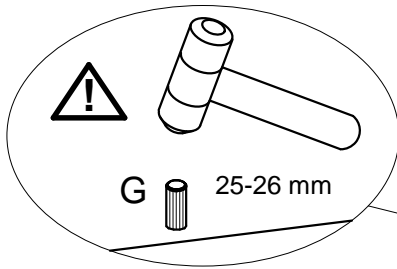
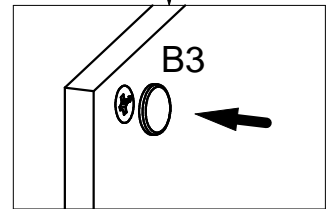


B2

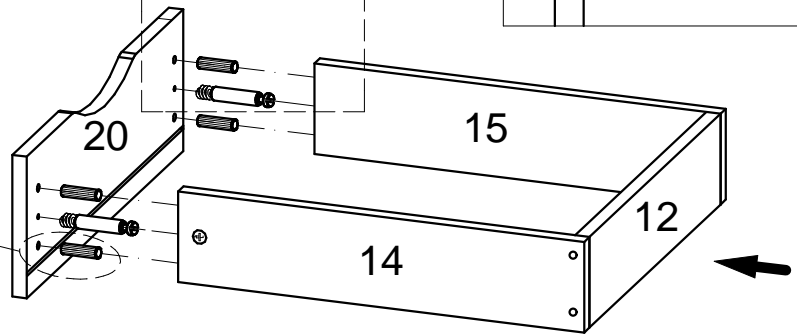
B1



B3



G 25-26 mm



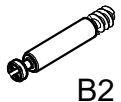
20

15

14



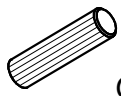
13



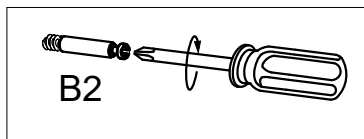
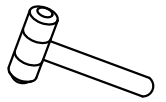
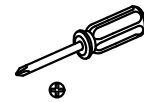
B2 x 2



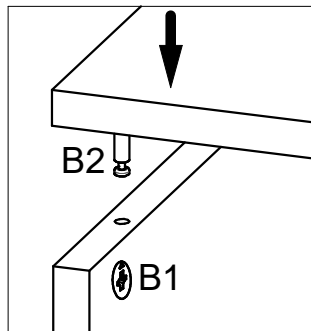
B3 x 2



G x 4

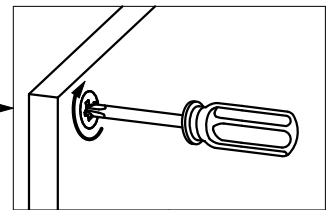


B2

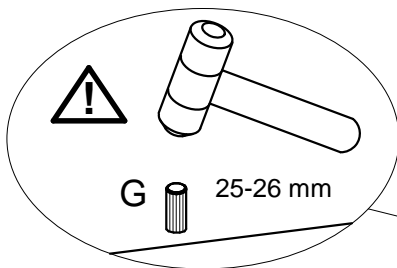
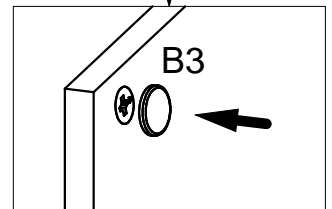


B2

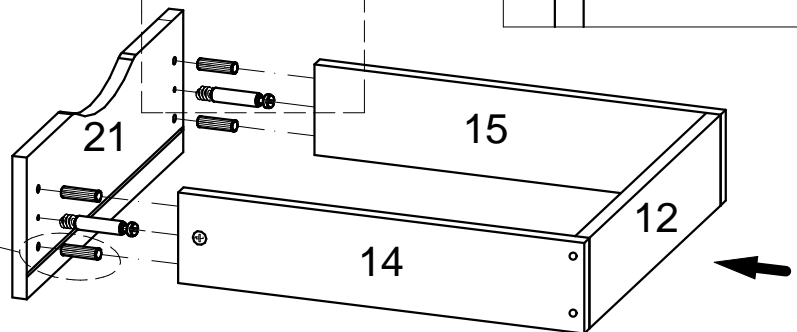
B1



B3



G 25-26 mm



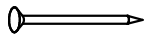
21

15

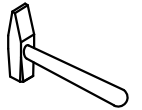
14



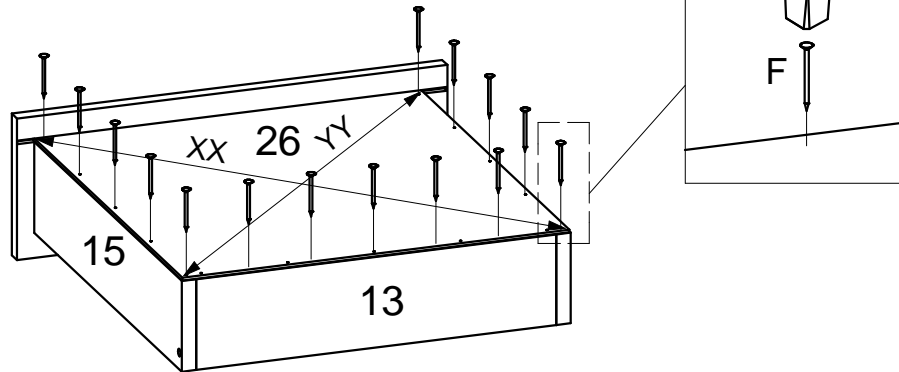
14



F x 22



⚠ XX=YY≅90°



15



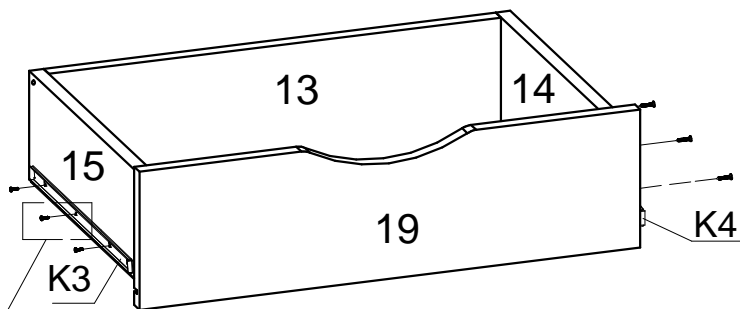
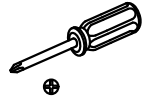
D1 x 6



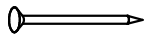
K.3 x 1



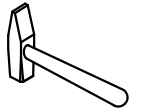
K.4 x 1



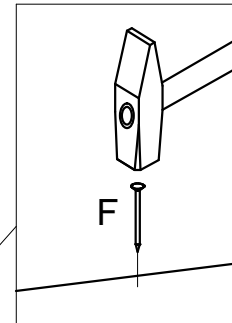
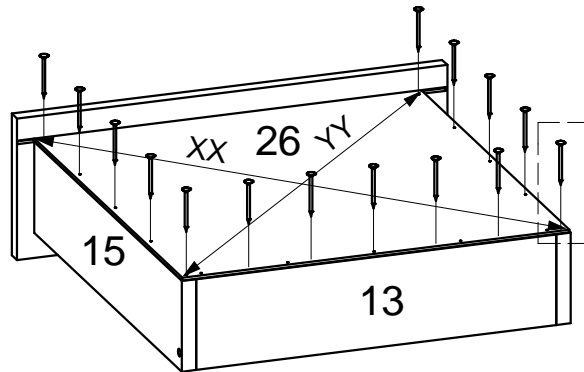
16



F x 22



⚠ XX=YY≅90°



17



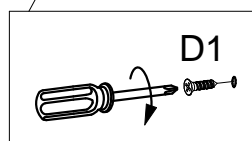
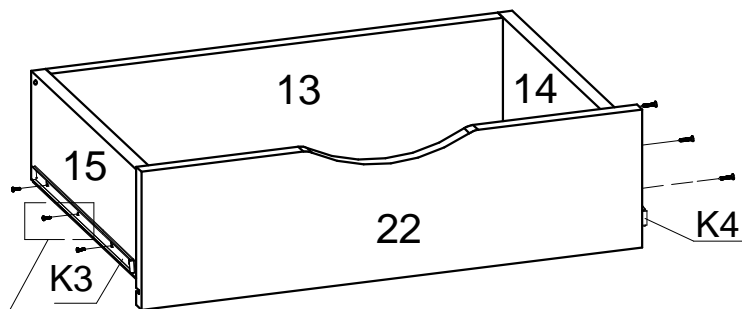
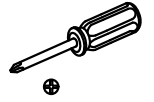
D1 x 6



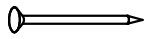
K.3 x 1



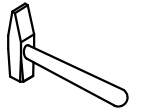
K.4 x 1



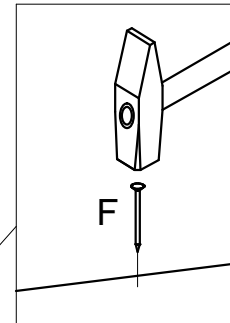
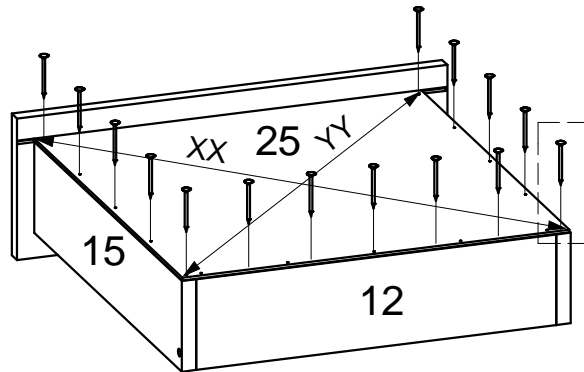
18



F x 22



⚠ XX=YY≅90°



19



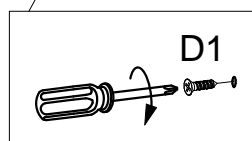
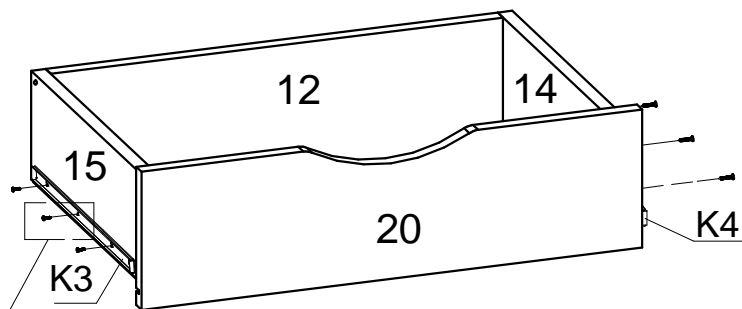
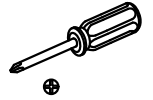
D1 x 6



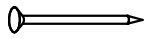
K.3 x 1



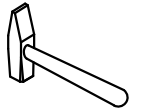
K.4 x 1



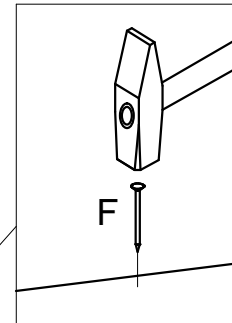
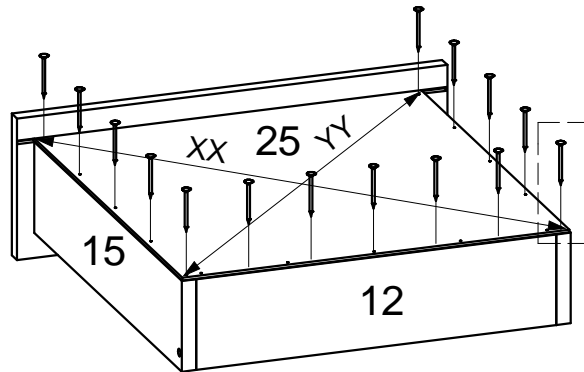
20



F x 22



⚠ XX=YY≅90°



21



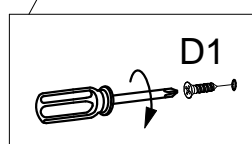
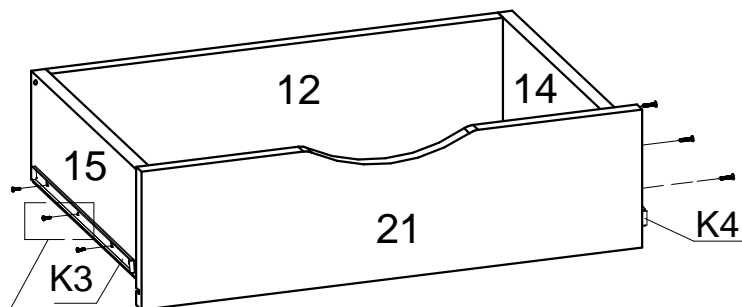
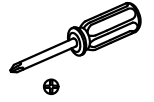
D1 x 6



K.3 x 1



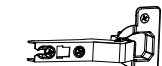
K.4 x 1



22



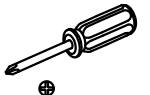
D1 x 16



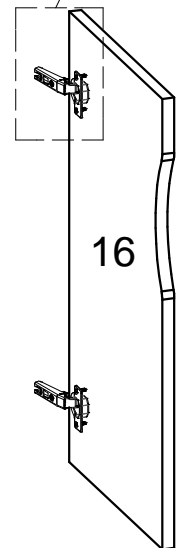
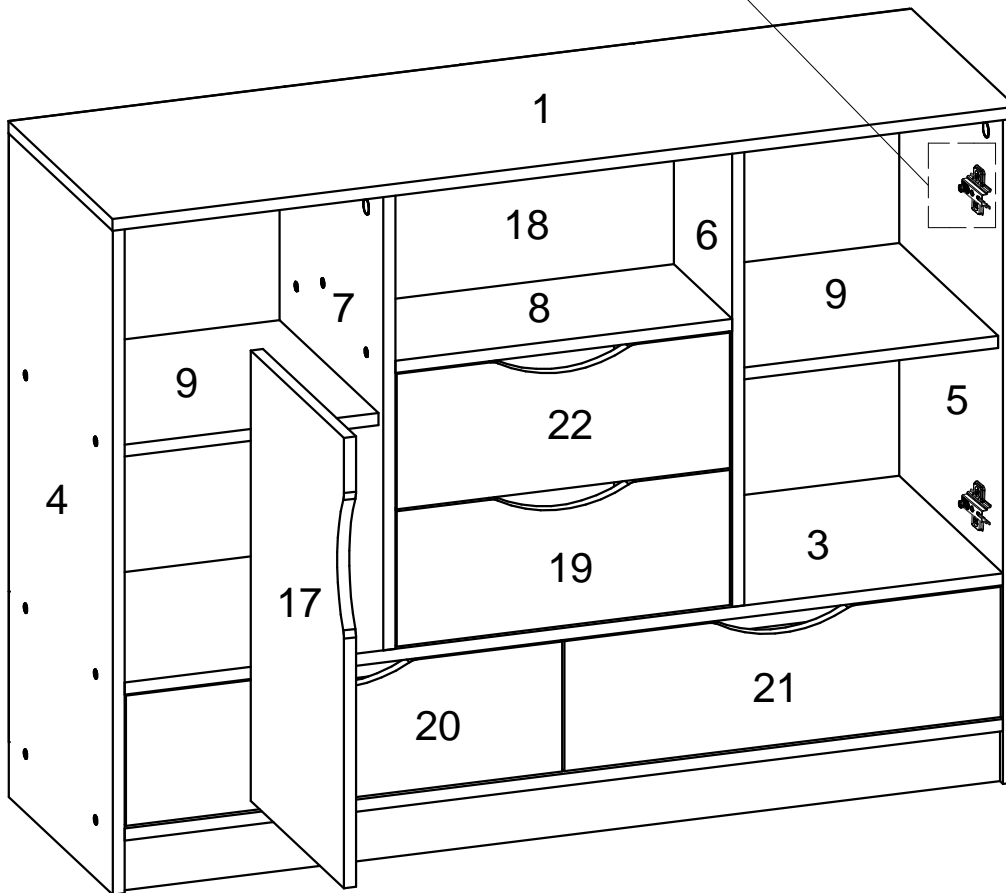
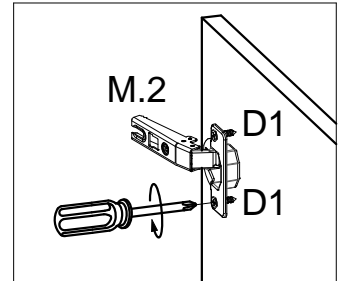
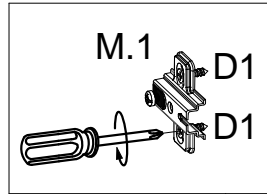
M.2 x 4



M.1 x 4



+



23

